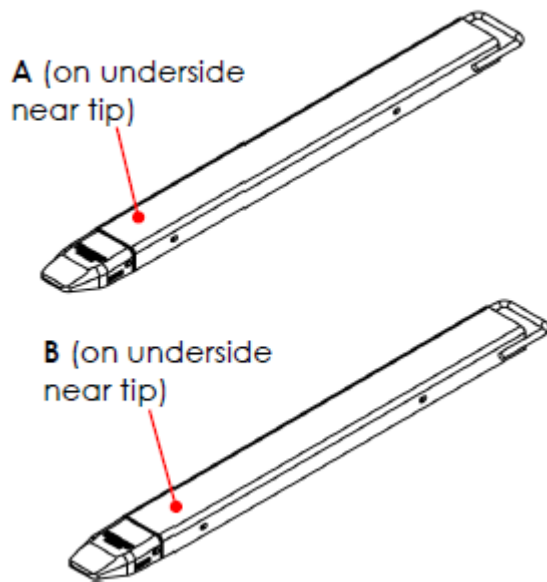


FE

A: LABEL 697 (FE-4), LABEL 698 (FE-5), LABEL 699 (FE-6), LABEL 1047 (FE-7), LABEL 1048 (FE-8)

⚠ WARNING											
Material handling is inherently dangerous. Improper or inappropriate use of fork extensions might result in operator or bystander death or serious injury. 698 rev 0510											
<ul style="list-style-type: none"> DO NOT use this extension if more than 150% of the fork line length. DO NOT use if locking loop damaged or absent. Law requires you to contact (fork) lift truck manufacturer and request: <ol style="list-style-type: none"> Written approval BEFORE using fork extensions [29 CFR 1910.178(a)(4)]. Markings for (fork) lift truck that: <ul style="list-style-type: none"> Identify fork extensions; Give approximate weight of truck and extensions at maximum evaluation with laterally-centered load. [29 CFR 1910.178(a)(5)]. DO NOT use UNTIL lift truck manufacturer provides corrected capacity tags. 											
CAPACITY, LOAD CENTER, AND MINIMUM FORK SIZE FOR EACH FORK EXTENSION	Model	Extension		Minimum Fork Size			Extension		Minimum Fork Size		
		Capacity each Extension Kg	Load Center mm	Thick mm	Width mm	Length mm	Capacity each Extension Lb	Load Center in.	Thick in.	Width in.	Length in.
	FE-5-48	907.2	508.0	50.8	127.0	812.8	2,000	20	2	5	32
	FE-5-54	907.2	584.2	50.8	127.0	914.4	2,000	23	2	5	36
	FE-5-63	907.2	686.5	50.8	127.0	1066.8	2,000	28	2	5	42
	FE-5-66	907.2	736.6	50.8	127.0	1117.6	2,000	29	2	5	44
	FE-5-72	907.2	812.8	50.8	127.0	1219.2	2,000	32	2	5	48
	FE-5-84	907.2	965.2	50.8	127.0	1422.4	2,000	38	2	5	56
	FE-5-90	907.2	1041.4	50.8	127.0	1524.0	2,000	41	2	5	60
	FE-5-96	907.2	1117.6	50.8	127.0	1625.6	2,000	44	2	5	64
	FE-5-108-P	907.2	1270.0	50.8	127.0	1828.8	2,000	50	2	5	72
	FE-5-120-P	907.2	1422.4	50.8	127.0	2032.0	2,000	56	2	5	80



B: Label 460

NOTICE

INSTALLATION INSTRUCTIONS

- FORK EXTENSIONS MUST BE SLID ON TO FORKS AT AN ANGLE. THE "U-BOLT" MUST BE UNDER THE FORK.
- AFTER PROPER INSTALLATION, "U-BOLT" WILL WRAP AROUND HEEL OF FORK. THIS PREVENTS THE EXTENSION FROM SLIDING OFF FORK.

AVISO

INSTRUCCIONES DE INSTALACIÓN

- LAS EXTENSIONES DE LAS HORQUILLAS DEBEN DE SER METIDAS EN LAS HORQUILLAS EN UN ANGULO. EL PERNO U DEBE DE QUEDAR POR DENTRO DE LA HORQUILLA.
- DESPUES DE LA CORRECTA INSTALACION, EL PERNO U ESTARA ENVUELTO EN EL TALON DE LA HORQUILLA. ESTO PREVIENE QUE LA EXTENSION SE DESLICE DE LA HORQUILLA.

vestil
VESTIL MANUFACTURING COMPANY
www.vestil.com • Phone (281) 955-7538 460

C: Label 1210, on underside of either extension

⚠ WARNING

Using this front end attachment exposes occupants and bystanders to risk of serious personal injuries or death. 1210

- DO NOT use this front end attachment with rough terrain lift trucks or telehandlers (boom lifts).
- ONLY use this attachment with high lift fork trucks utilizing a vertical mast and carriage.
- DO NOT operate truck with attachment on unimproved surfaces. ONLY operate the truck with the attachment on concrete or asphalt surfaces capable of supporting the truck and a full capacity load.

Label 1072 is to be applied to the outside of individual packaging

- | | |
|--|---|
| <p>⚠ WARNING:
Reproductive Harm -
www.P65Warnings.ca.gov.</p> <p>⚠ WARNING: Cancer -
www.P65Warnings.ca.gov.</p> | <p>⚠ ADVERTENCIA: 1072
Daño Reproductivo -
www.P65Warnings.ca.gov.</p> <p>⚠ ADVERTENCIA: Cáncer -
www.P65Warnings.ca.gov.</p> |
|--|---|

FORK EXTENSIONS

09/23/2023